

Natural
Light with...
Ventilation



Translucent Louvre

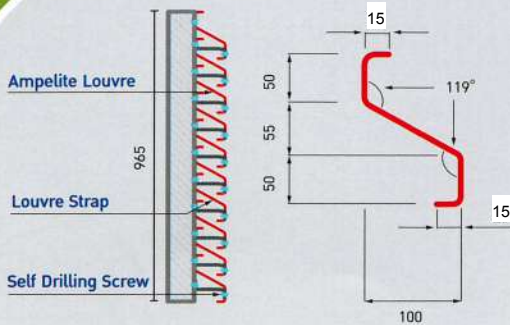


Produce by ISO 9001 certified factory

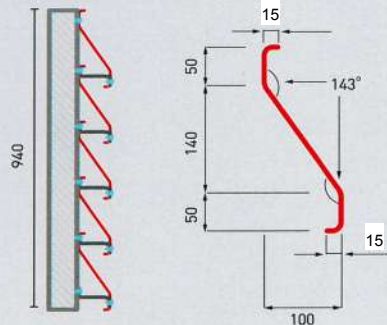
Product Information

Ampelite's Translucent Louvre is a durable translucent walling solution that provides both natural light and natural ventilation into the building. Due to its cost saving potential, superior durability, and unique two-in-one benefits, Ampelite's Translucent Louvre is highly suitable for factories, warehouses, car showrooms, sport stadiums and etc.

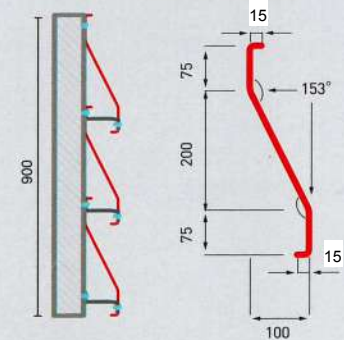
Louvre B-200



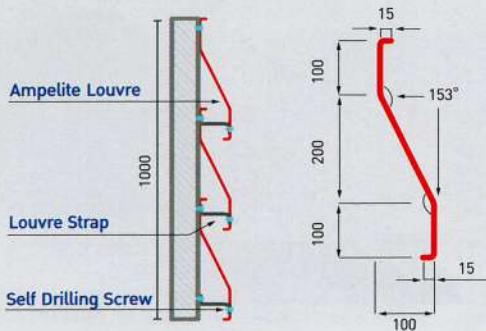
Louvre B-300



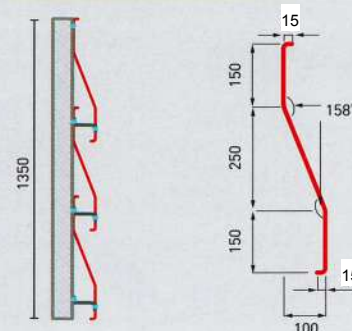
Louvre B-400



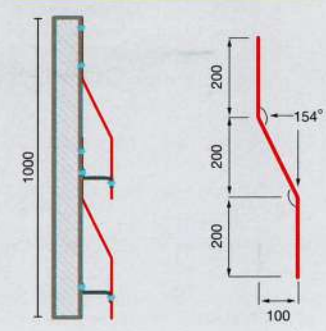
Louvre B-400 II



Louvre B-600



AC-Louvre



Key Features



Excellent light diffusion and 2x higher tensile strength.



2 Coats system technology allows long-lasting sheets (Bottom surface is coated with DuPont MELINEX® for internal erosion protection.)



A cost-saving solution which saves electricity during daytime.

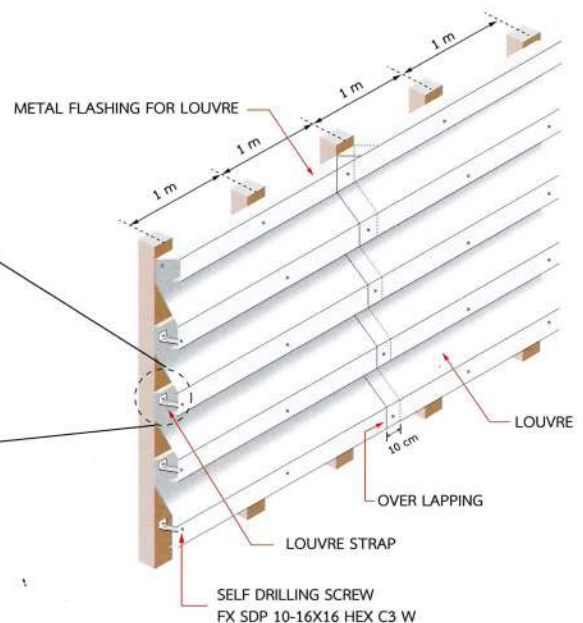
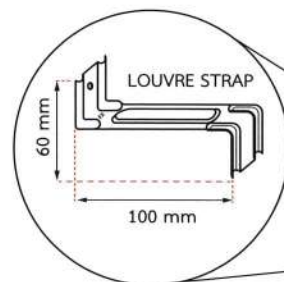


Reflect more than 99.95% of incoming UV.



Two benefits in one.
Natural Light with Natural Ventilation.

Installation Guide



Recommendation

1. Mounting frame installation span shall not be more than 1.0 meter.
2. Maximum length of each sheet shall not be more than 6.2 meters.
3. Overlapping area shall not be less than 100 mm.

Certification

Ampelite's products are manufactured in compliance with Australian standard 4256.3:2006 certified by SAI Global License No. SMK 20679 and Thai Industrial Standard (TIS) 612-2549.



AS 4256.3 : 2006



TIS 612-2549

Physical Properties

1	Tensile Strength	100 MPa
2	Impact Strength	8 Joules
3	Thermal Expansion	3.0×10^{-5} cm/cm ^o C
4	Shear Strength	90 MPa
5	Modulus of Elasticity	5,500 MPa
6	Compressive Strength	135 MPa
7	Flexural Strength	150 MPa
8	Specific Gravity	1.45
9	Thermal Conductivity	0.038 Watt/m K
10	Recommended Service Temperature Range	-20 ^o C to 110 ^o C
11	Water Absorption	0.2 % in 24 hrs/26 ^o C

Product	Color	Light Transmission	Warranty
	 Opal	50 %	
	 Ice Clear	60 %	
	 Sea Pearl	44 %	
	 White	38 %	
	 Snow Blue	54 %	
	 Opal	54 %	
	 Ice Clear	70 %	
	 Opal	54 %	
	 Ice Clear	70 %	

Remark : The colors of products may be different due to the printing system.

Reference Projects



© copyright, 112018 The data in this publication supersedes previous issue.



Distributed by :



www.ampelite.co.th

